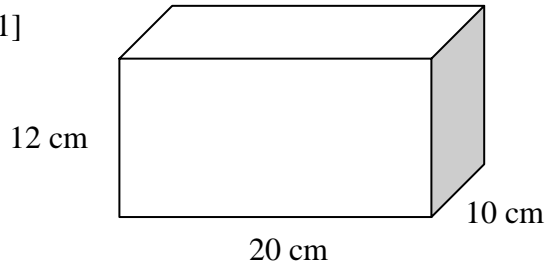


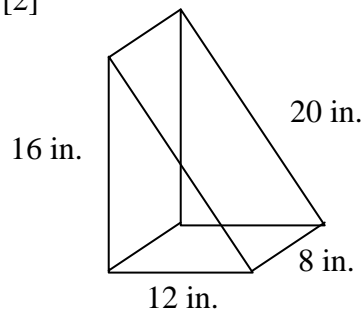
Surface Area of Prisms and Cylinders

Find the **surface area** of each three dimensional figure below, by finding the area of each face and then adding them together. Be sure to show all work to support your answer.

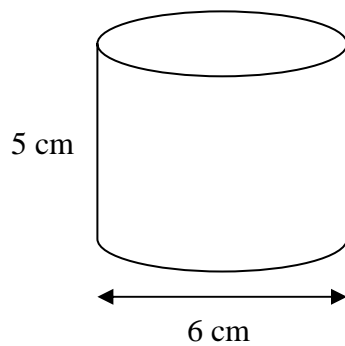
[1]



[2]



[3]



[4]

